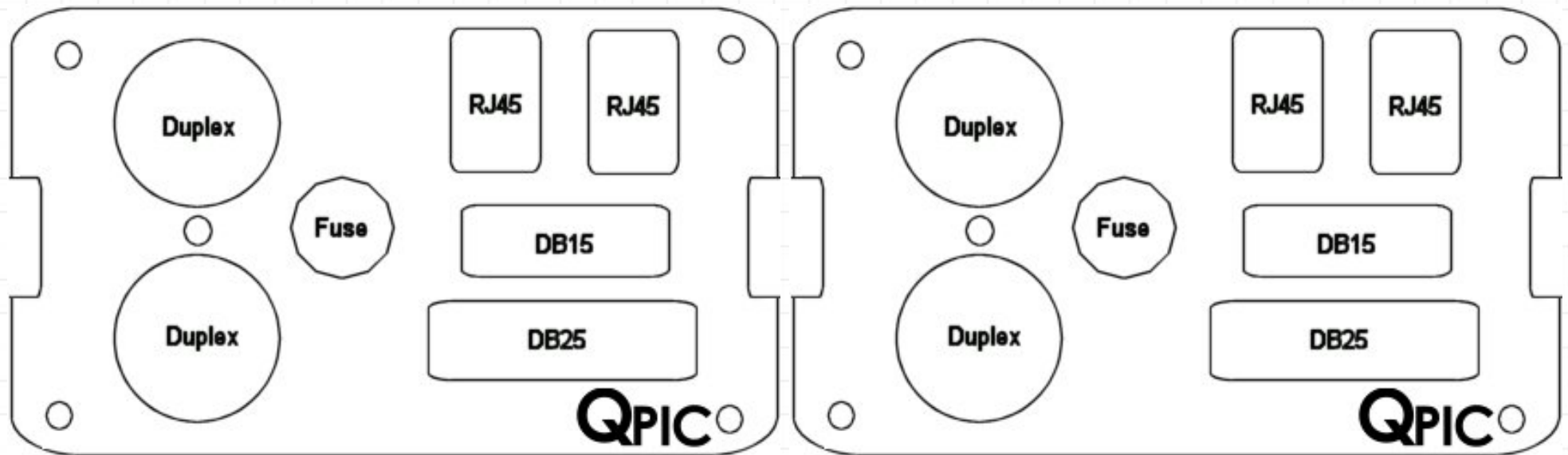


# Qpic 48 Pin Housing

Sale Information:- 1-800-350-7937

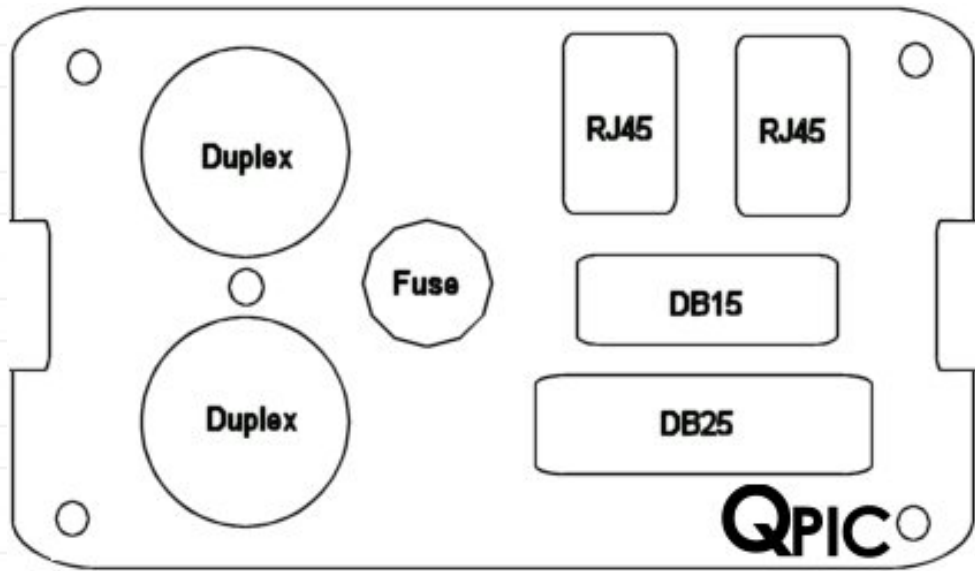


**Part# - 48D1-AADF**

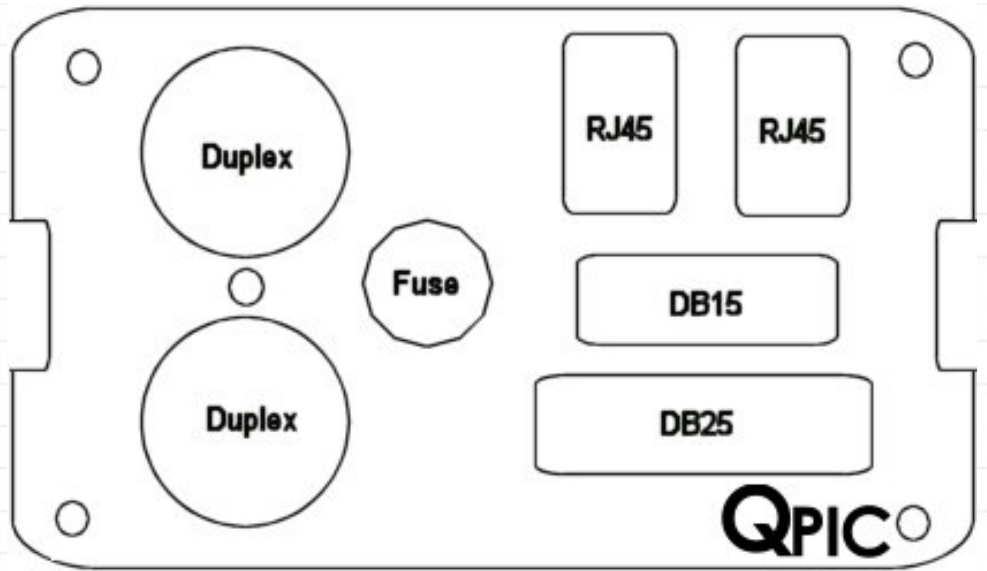
**Duplex Receptacle, Circuit Breaker, RJ45 Female-Female  
DB25 Female-Female, DB15 Female-Female**

**Part# - 48D1-AADG**

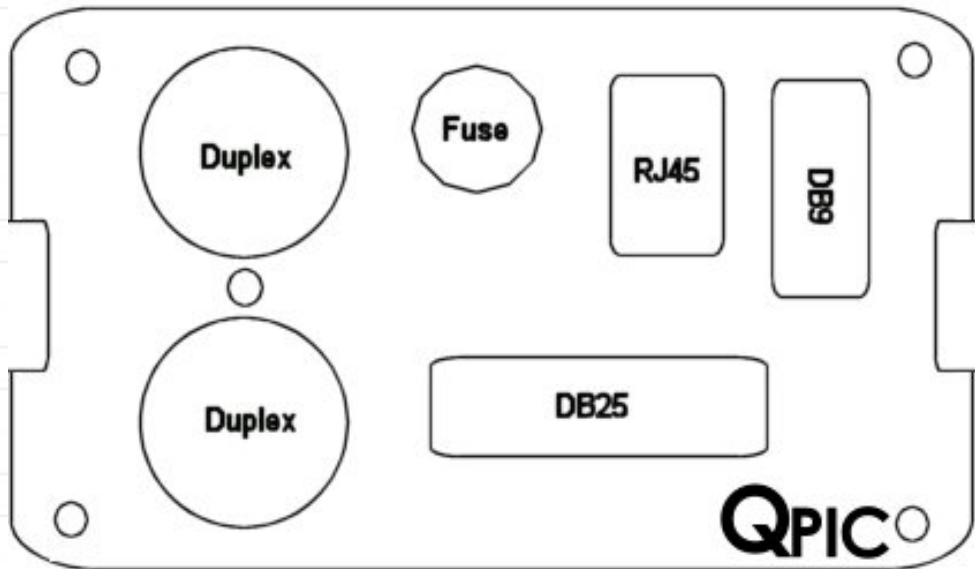
**Duplex Receptacle, Circuit Breaker, RJ45 Female-Female  
DB25 Female-Female, DB15 Male-Male**



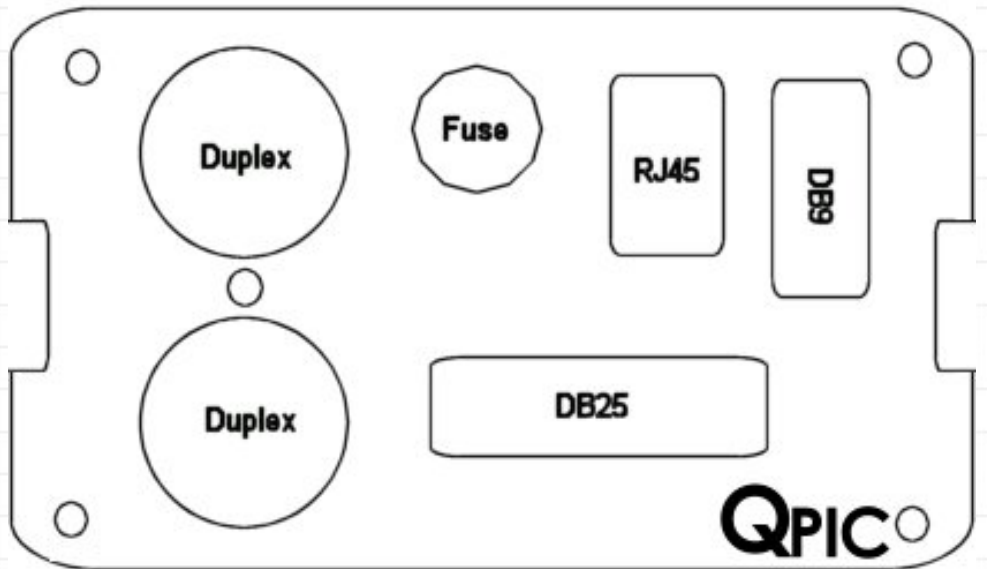
**Part# - 48D1-AAEF**  
Duplex Receptacle, Circuit Breaker, RJ45 Female-Female  
DB25 Male-Male, DB15 Female-Female



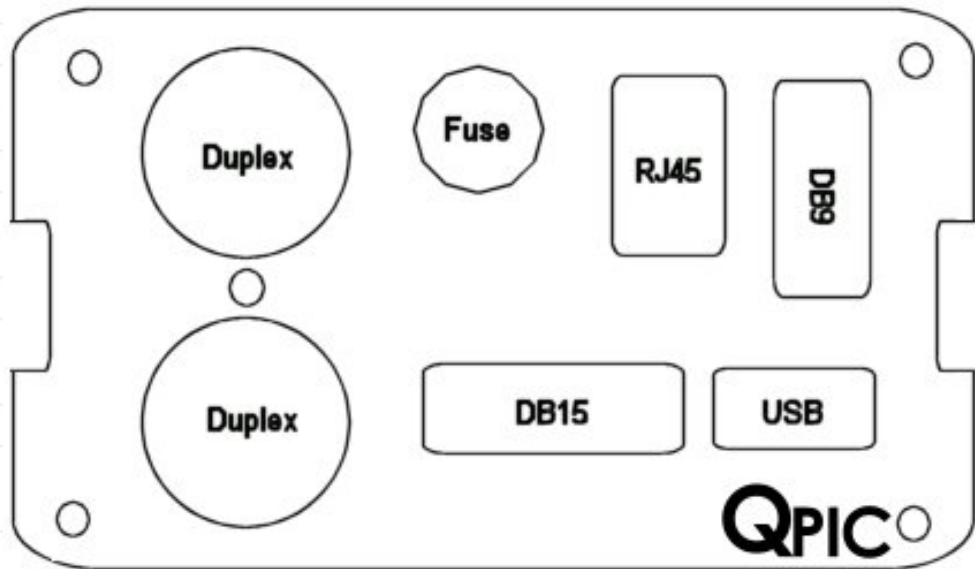
**Part# - 48D1-AAEG**  
Duplex Receptacle, Circuit Breaker, RJ45 Female-Female  
DB25 Male-Male, DB15 Male-Male



**Part# - 48D1-ABD**  
Duplex Receptacle, Circuit Breaker, RJ45 Female-Female  
DB9 Female-Female, DB25 Female-Female

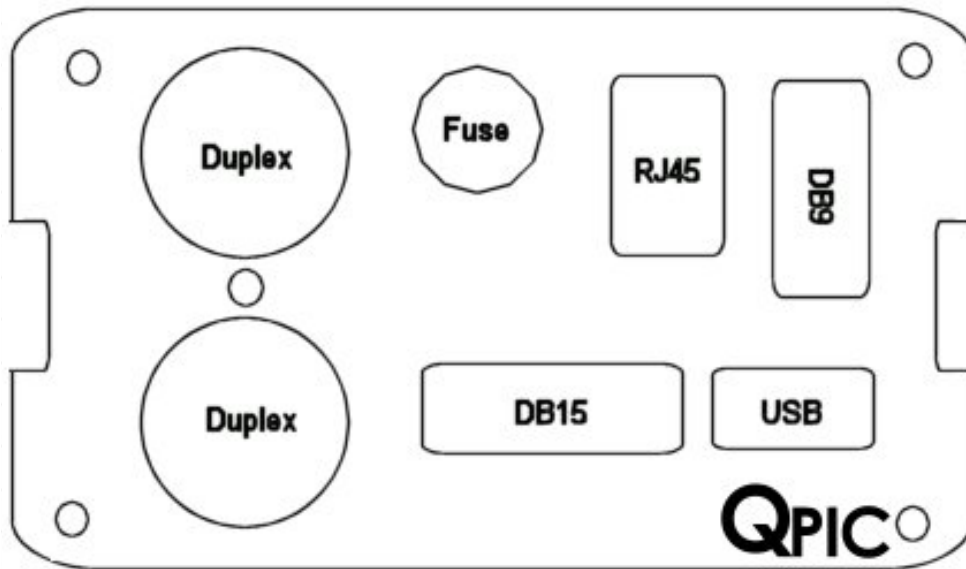


**Part# - 48D1-ABE**  
Duplex Receptacle, Circuit Breaker, RJ45 Female-Female  
DB9 Female-Female, DB25 Male-Male



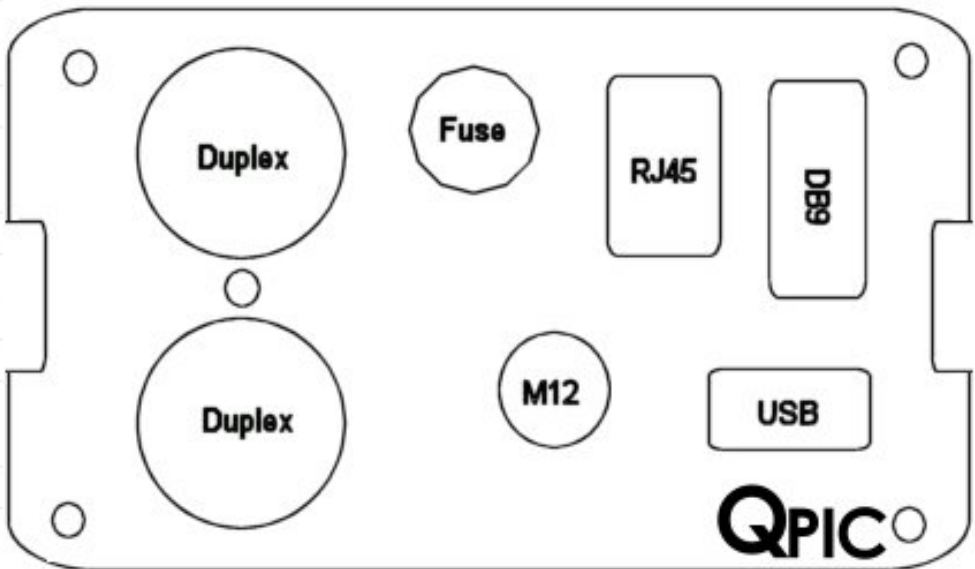
**Part# - 48D1-ABFM**

**Duplex Receptacle, Circuit Breaker, RJ45 Female-Female  
DB9 Female-Female, DB15 Female-Female, USB Female-Female**



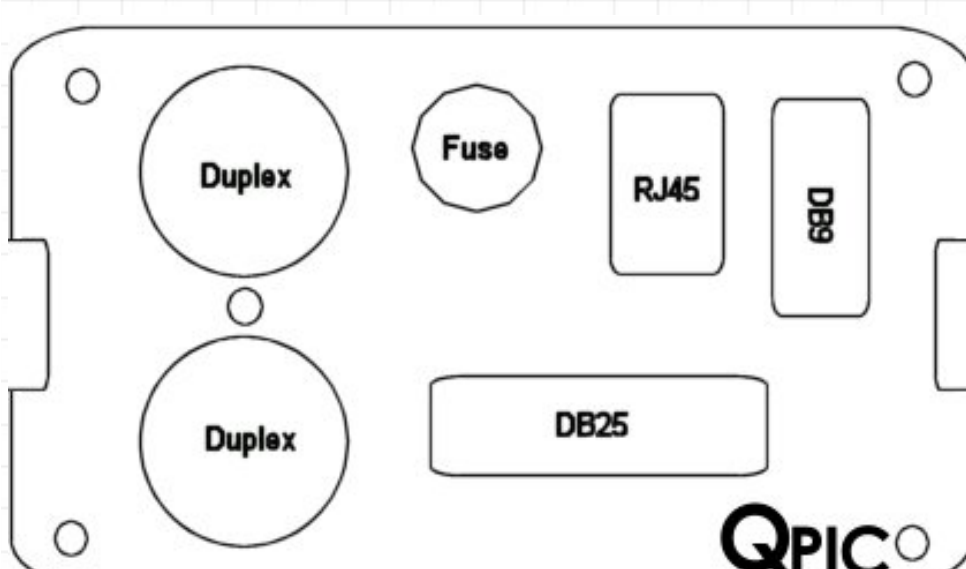
**Part# - 48D1-ABGM**

**Duplex Receptacle, Circuit Breaker, RJ45 Female-Female  
DB9 Female-Female, DB15 Male-Male, USB Female-Female**



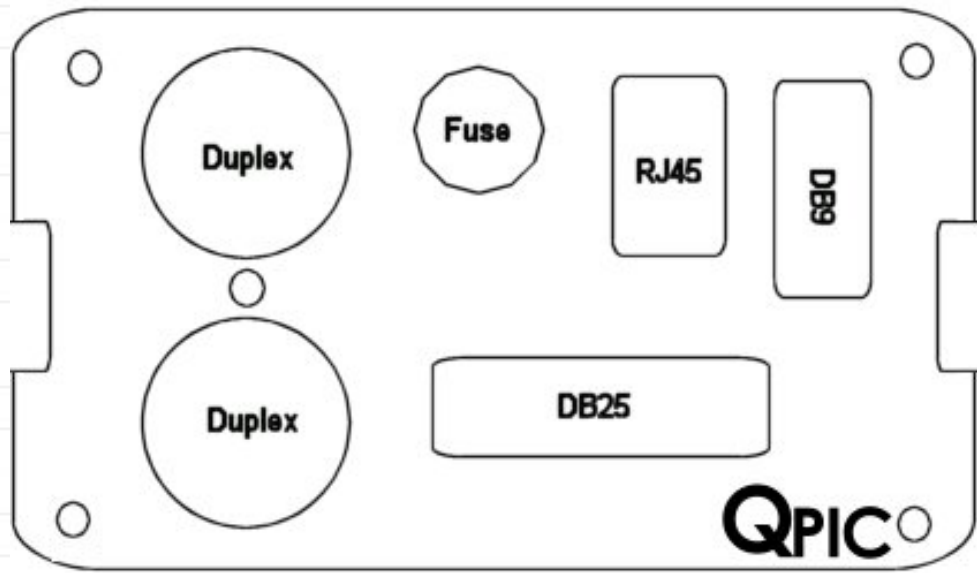
**Part# - 48D1-ABMO**

**Duplex Receptacle, Circuit Breaker, RJ45 Female-Female  
DB9 Female-Female, USB Female-Female,  
DeviceNet M12 Female-Male**



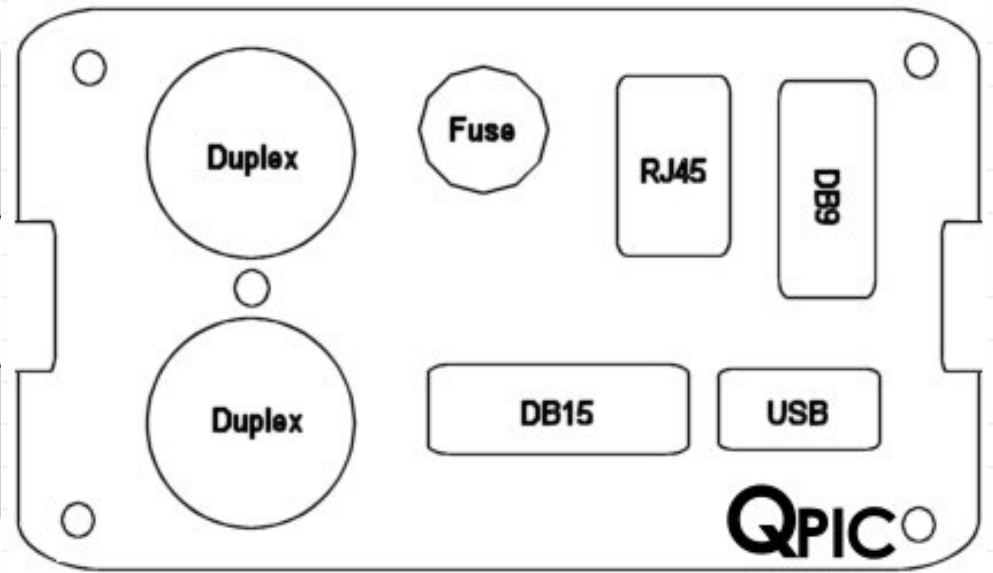
**Part# - 48D1-ACD**

**Duplex Receptacle, Circuit Breaker, RJ45 Female-Female  
DB9 Male-Male, DB25 Female-Female**



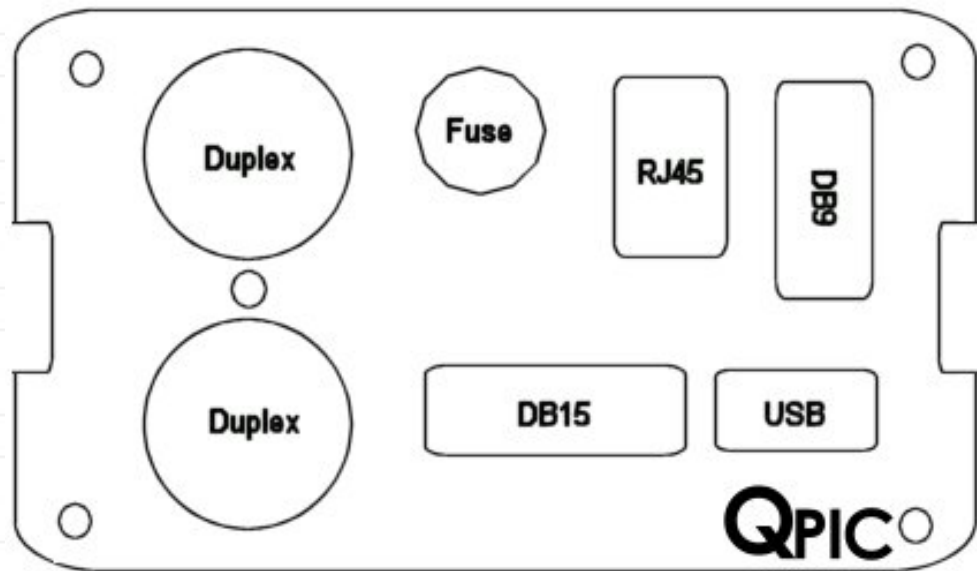
**Part# - 48D1-ACE**

**Duplex Receptacle, Circuit Breaker, RJ45 Female-Female  
DB9 Male-Male, DB25 Male-Male**



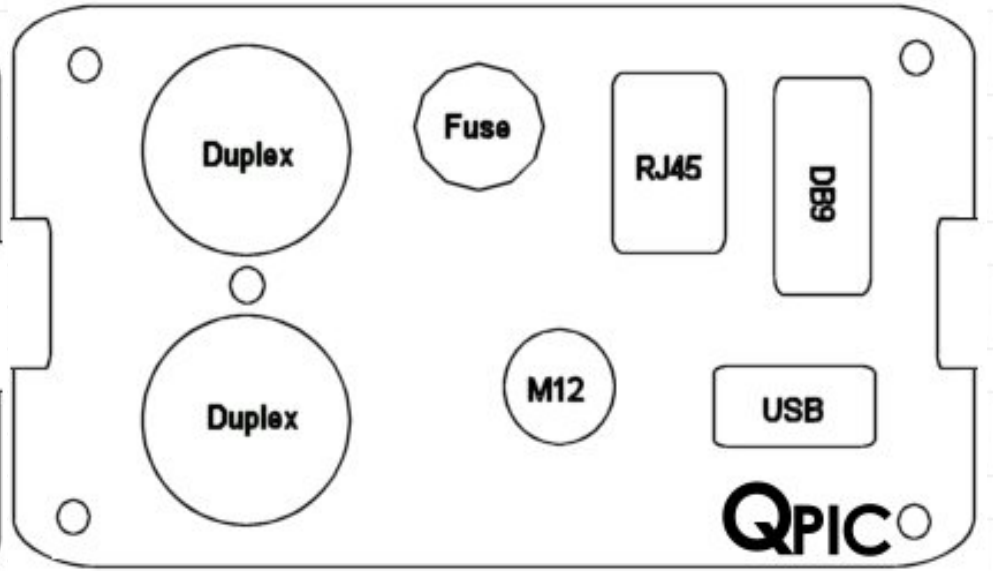
**Part# - 48D1-ACFM**

**Duplex Receptacle, Circuit Breaker, RJ45 Female-Female  
DB9 Male-Male, DB15 Female-Female, USB Female-Female**



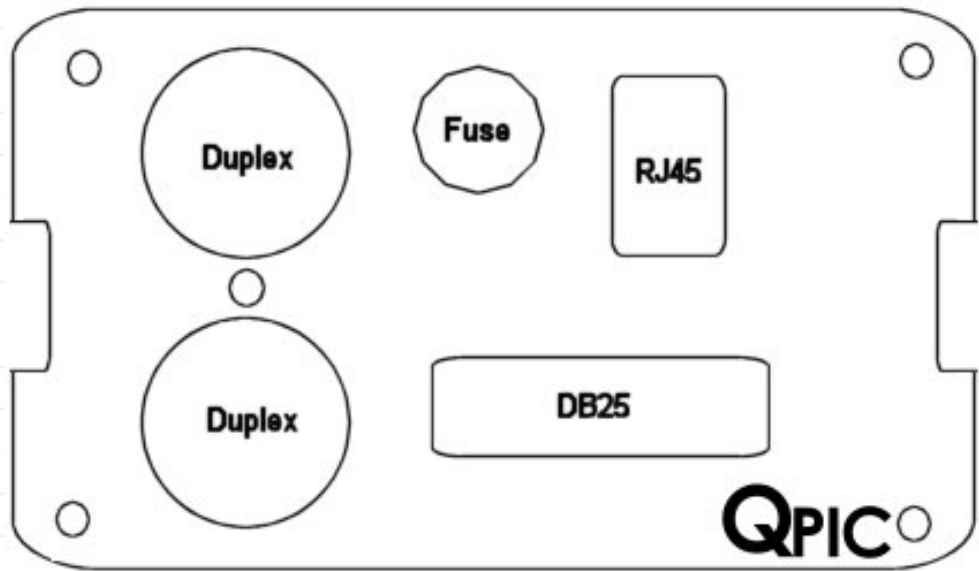
**Part# - 48D1-ACGM**

**Duplex Receptacle, Circuit Breaker, RJ45 Female-Female  
DB9 Male-Male, DB15 Male-Male, USB Female-Female**

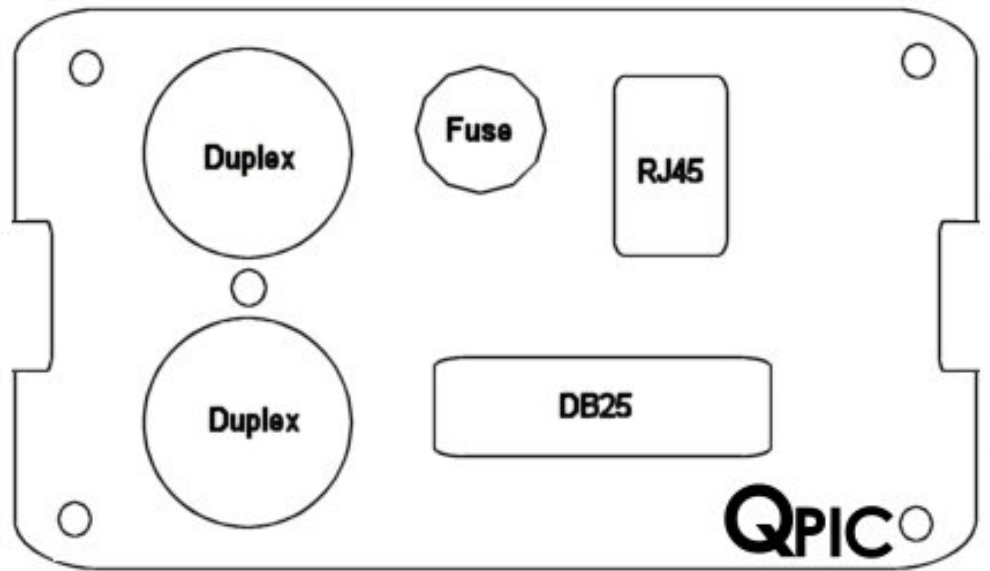


**Part# - 48D1-ACMO**

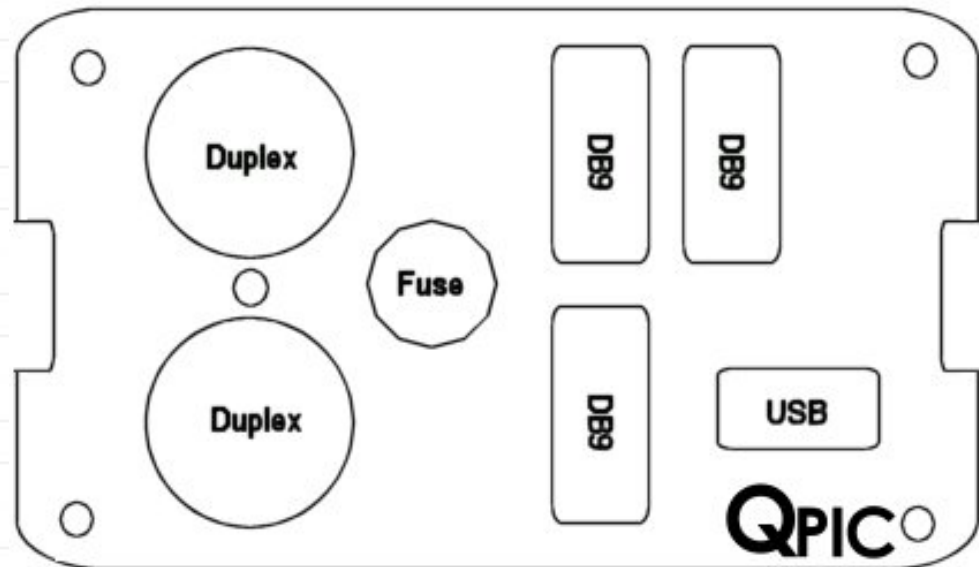
**Duplex Receptacle, Circuit Breaker, RJ45 Female-Female  
DB9 Male-Male, USB Female-Female,  
DeviceNet M12 Female-Male**



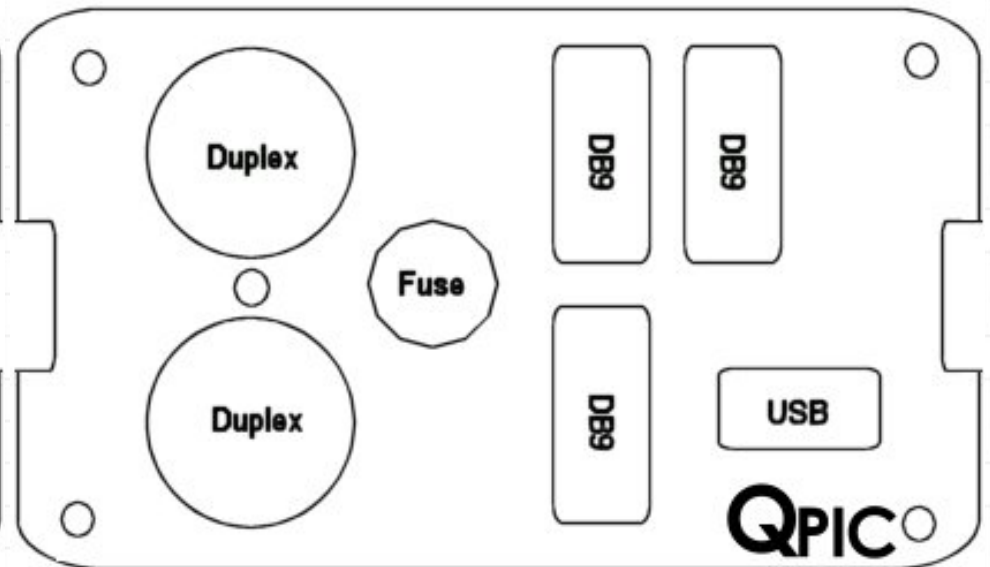
**Part# - 48D1-AD**  
**Duplex Receptacle, Circuit Breaker, RJ45 Female-Female**  
**DB25 Female-Female**



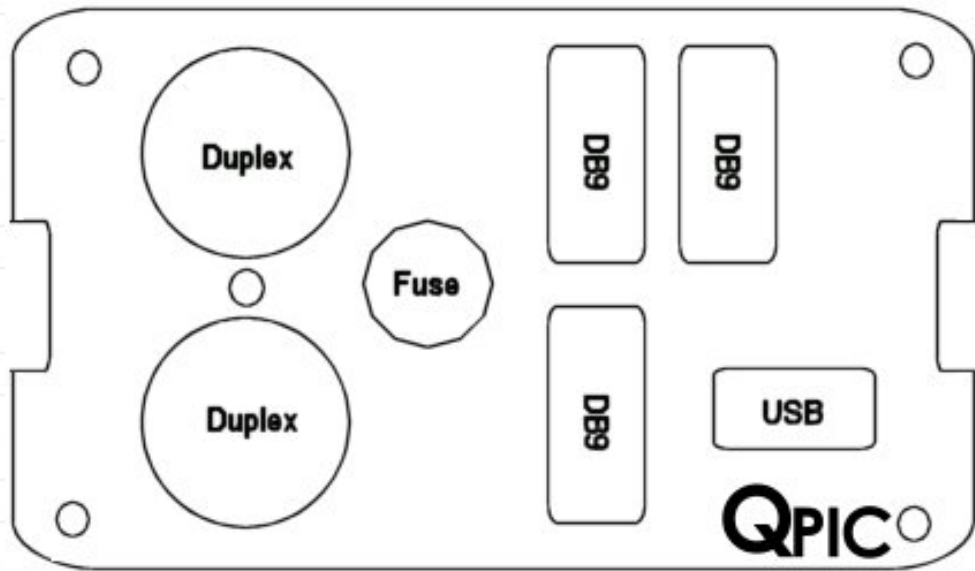
**Part# - 48D1-ACD**  
**Duplex Receptacle, Circuit Breaker, RJ45 Female-Female**  
**DB25 Male-Male**



**Part# - 48D1-BBBM**  
**Duplex Receptacle, Circuit Breaker, DB9 Female-Female**  
**DB9 Female-Female, DB9 Female-Female, USB Female-Female**

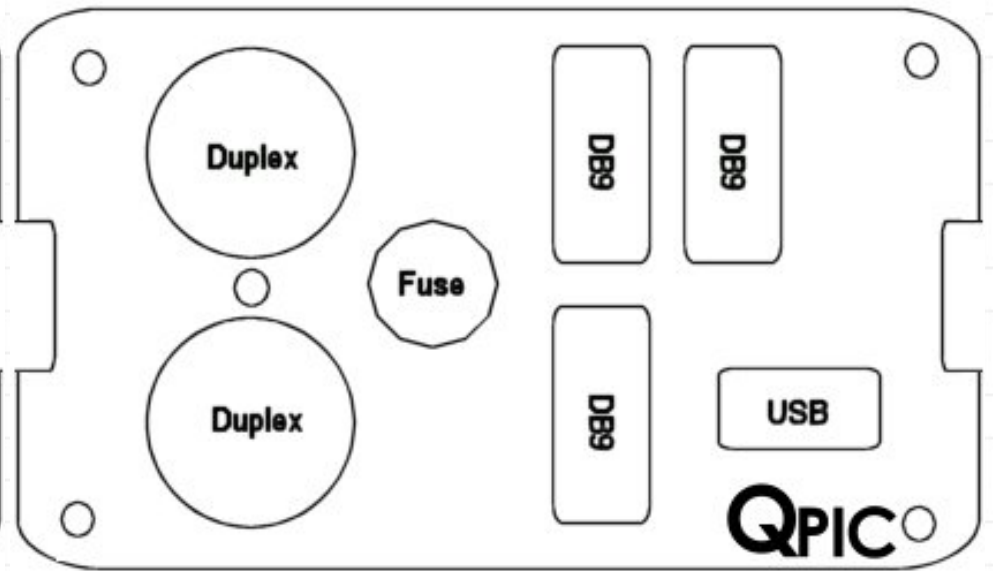


**Part# - 48D1-BBCM**  
**Duplex Receptacle, Circuit Breaker, DB9 Female-Female**  
**DB9 Female-Female, DB9 Male-Male, USB Female-Female**



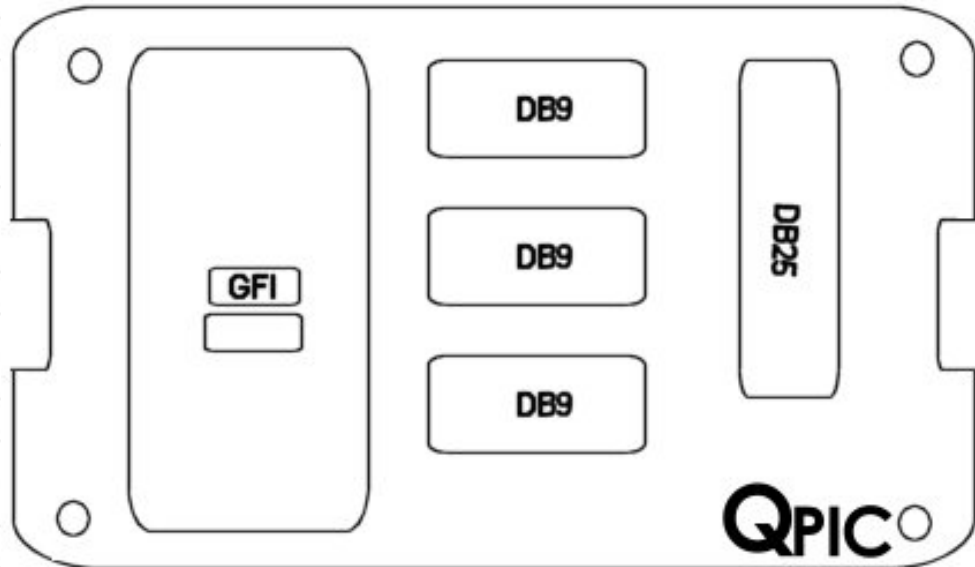
Part# - 48D1-BCCM

Duplex Receptacle, Circuit Breaker, DB9 Female-Female  
DB9 Male-Male, DB9 Male-Male, USB Female-Female



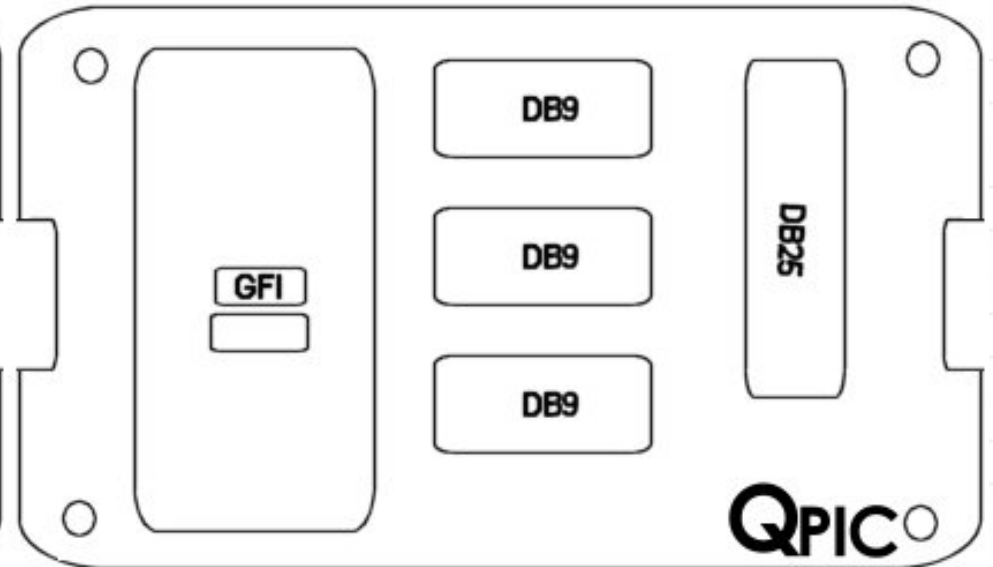
Part# - 48D1-CCCM

Duplex Receptacle, Circuit Breaker, DB9 Male-Male  
DB9 Male-Male, DB9 Male-Male, USB Female-Female



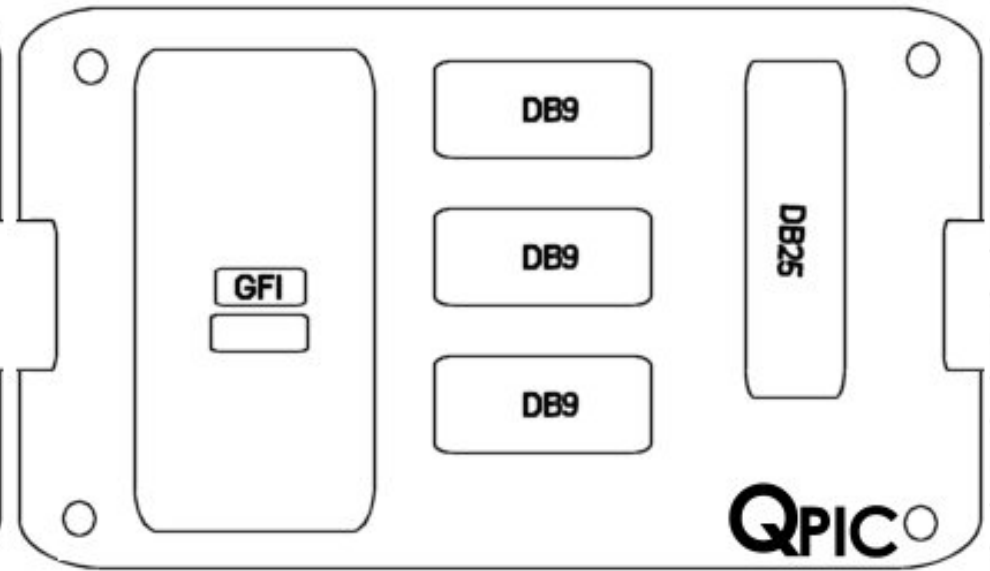
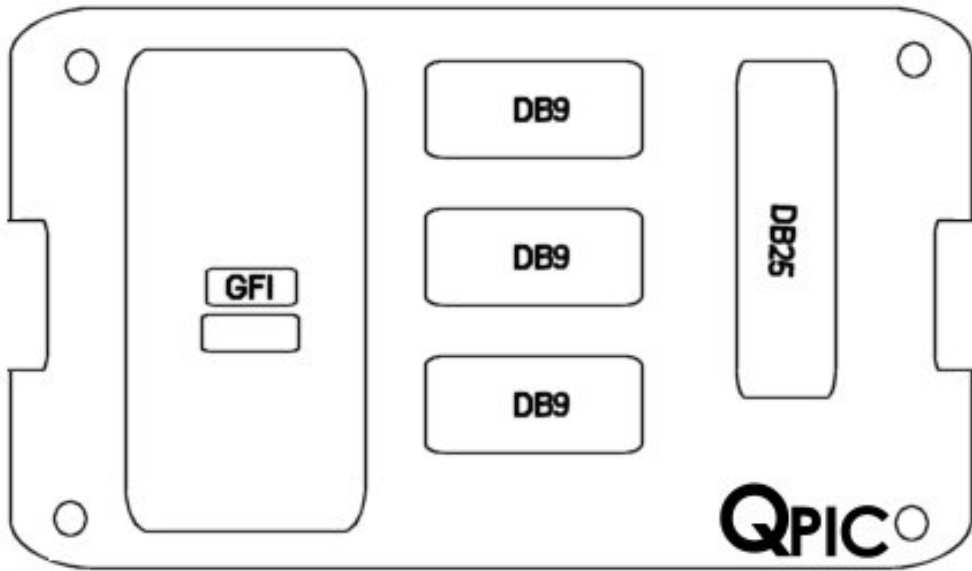
Part# - 48G-BBBD

GFI Receptacle, DB9 Female-Female  
DB9 Female-Female, DB9 Female-Female, DB25 Female-Female



Part# - 48G-BBBE

GFI Receptacle, DB9 Female-Female  
DB9 Female-Female, DB9 Female-Female, DB25 Male-Male

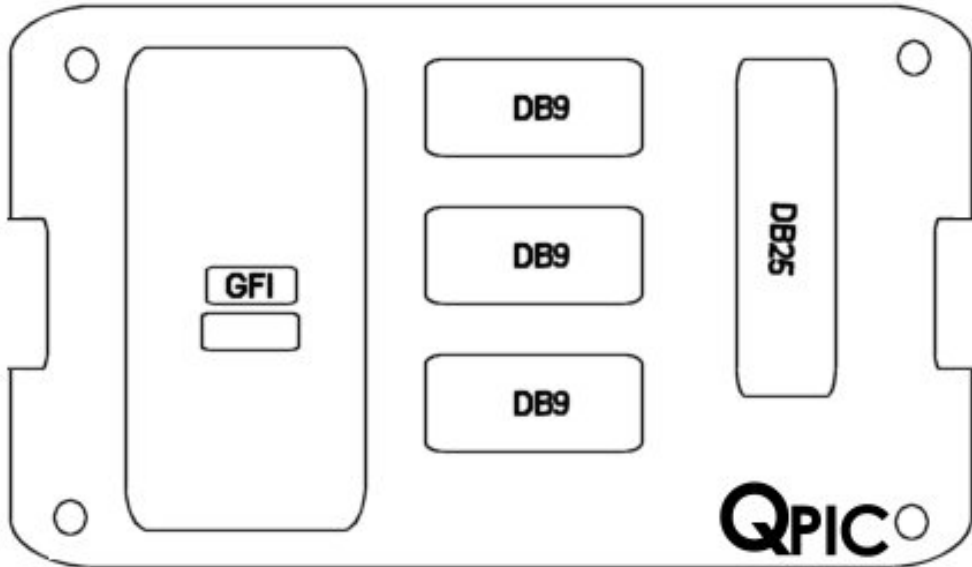


**Part# - 48G-BBCD**

**GFI Receptacle, DB9 Female-Female  
DB9 Female-Female, DB9 Male-Male, DB25 Female-Female**

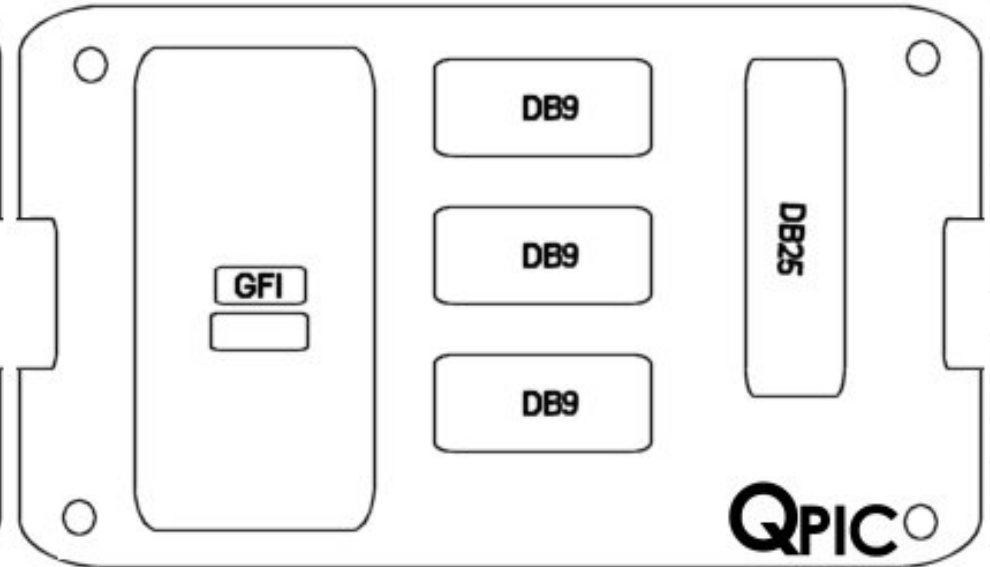
**Part# - 48G-BBCE**

**GFI Receptacle, DB9 Female-Female  
DB9 Female-Female, DB9 Male-Male, DB25 Male-Male**



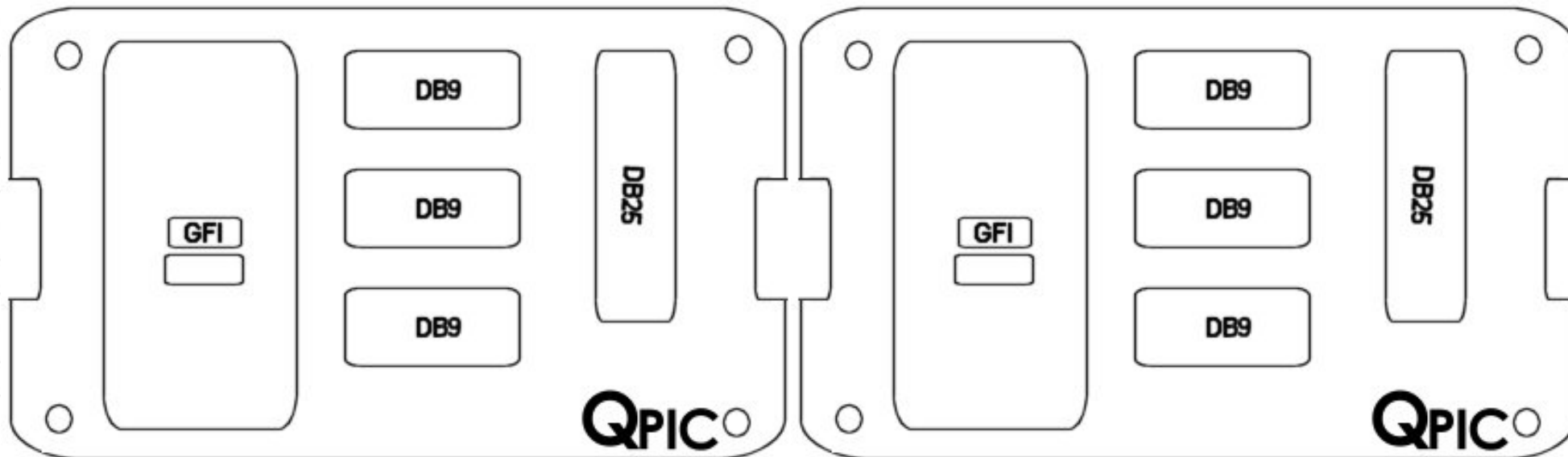
**Part# - 48G-BCCD**

**GFI Receptacle, DB9 Female-Female  
DB9 Male-Male, DB9 Male-Male, DB25 Female-Female**



**Part# - 48G-BCCE**

**GFI Receptacle, DB9 Female-Female  
DB9 Male-Male, DB9 Male-Male, DB25 Male-Male**



**Part# - 48G-CCCD**

**GFI Receptacle, DB9 Male-Male**

**DB9 Male-Male, DB9 Male-Male, DB25 Female-Female**

**Part# - 48G-CCCE**

**GFI Receptacle, DB9 Male-Male**

**DB9 Male-Male, DB9 Male-Male, DB25 Male-Male**

Copyright © 1997-2002, Qpic © A Cable Protection Systems Inc. Company All Rights Reserved.  
Trademarks used on this site are the property of their respective companies.  
This site was last modified:-Thursday, February 07, 2002